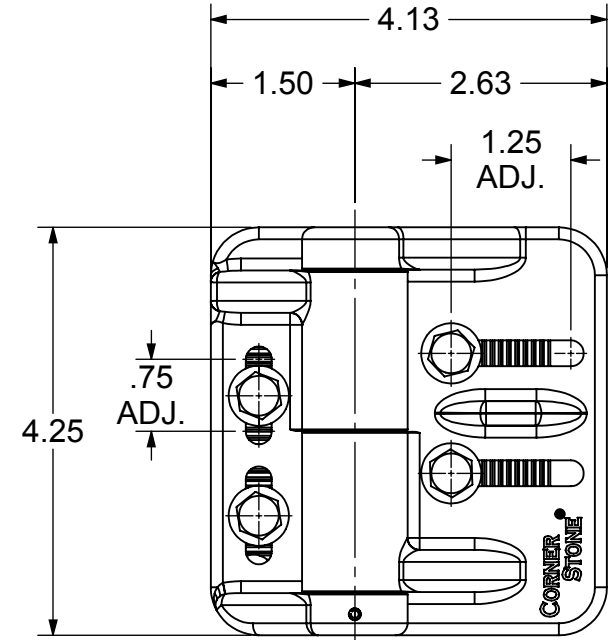
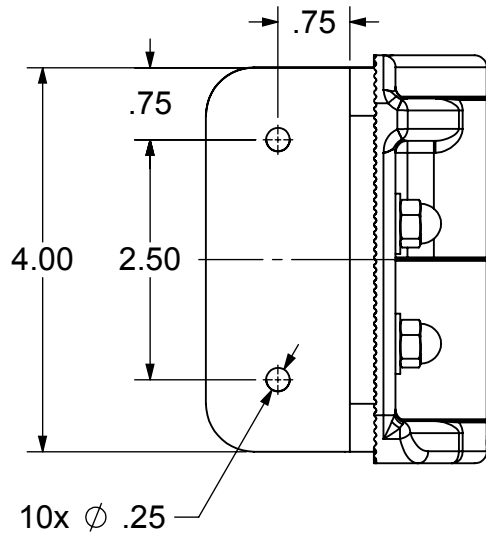
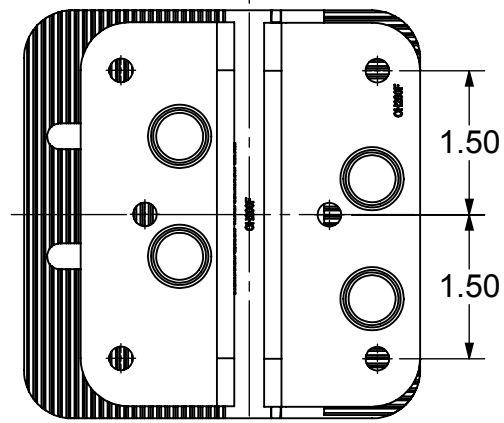
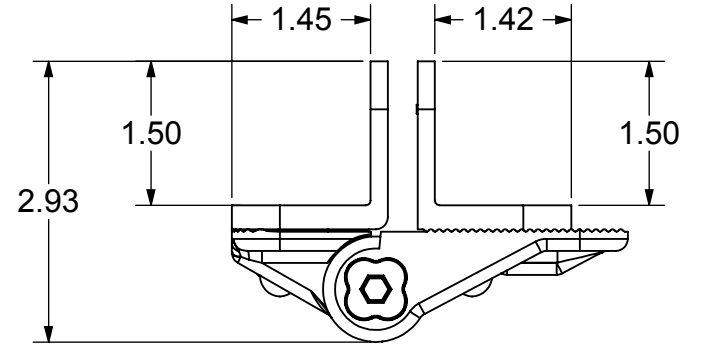
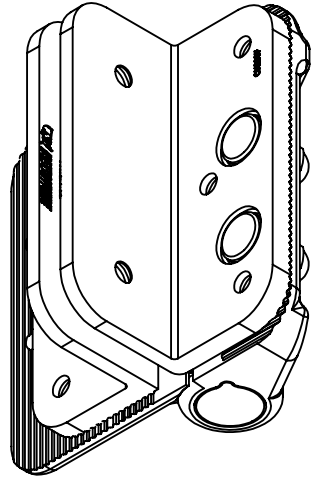
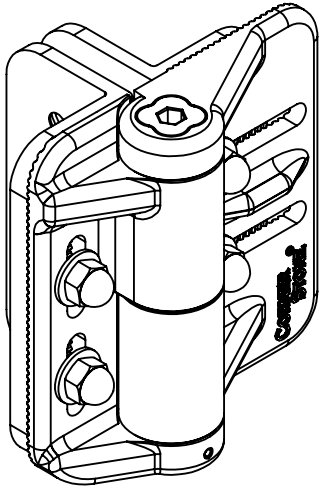


ECR/DCR		REV.		REVISIONS		DATE	APPD
				DESCRIPTION			
-	-			INITIAL RELEASE		2/5/13	-



DIMENSIONS ARE IN INCHES  
TOLERANCES:  
FRACTIONAL ±1/16"  
ANGULAR: MACH ±1° BEND ±1°  
TWO PLACE DECIMAL ±0.01  
THREE PLACE DECIMAL ±0.005

**PROPRIETARY AND CONFIDENTIAL**  
THE INFORMATION CONTAINED IN THIS DRAWING IS THE SOLE PROPERTY OF NATIONWIDE INDUSTRIES. ANY REPRODUCTION IN PART OR AS A WHOLE WITHOUT THE WRITTEN PERMISSION OF NATIONWIDE INDUSTRIES IS PROHIBITED.



**SELF CLOSING  
ADJUSTABLE HINGE  
OUTLINE & DIMENSIONS**

SIZE: **A** DWG. NO. **CS--CH200F** REV. **--**  
SCALE: 1:2 WEIGHT: SHEET 1 OF 1