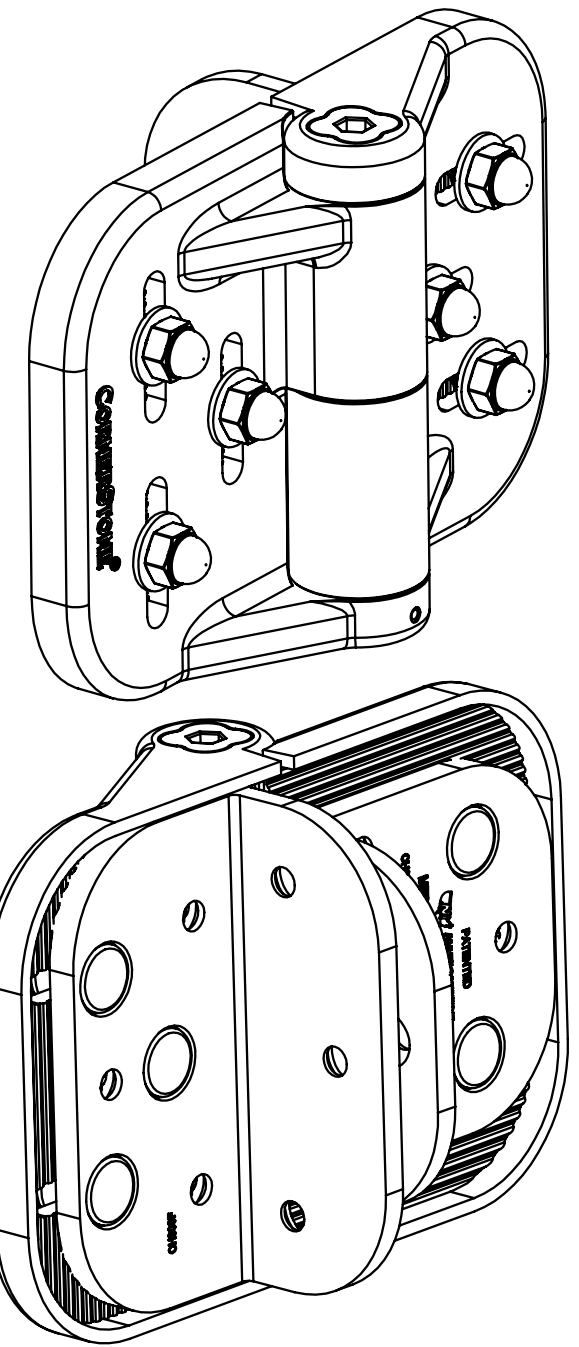
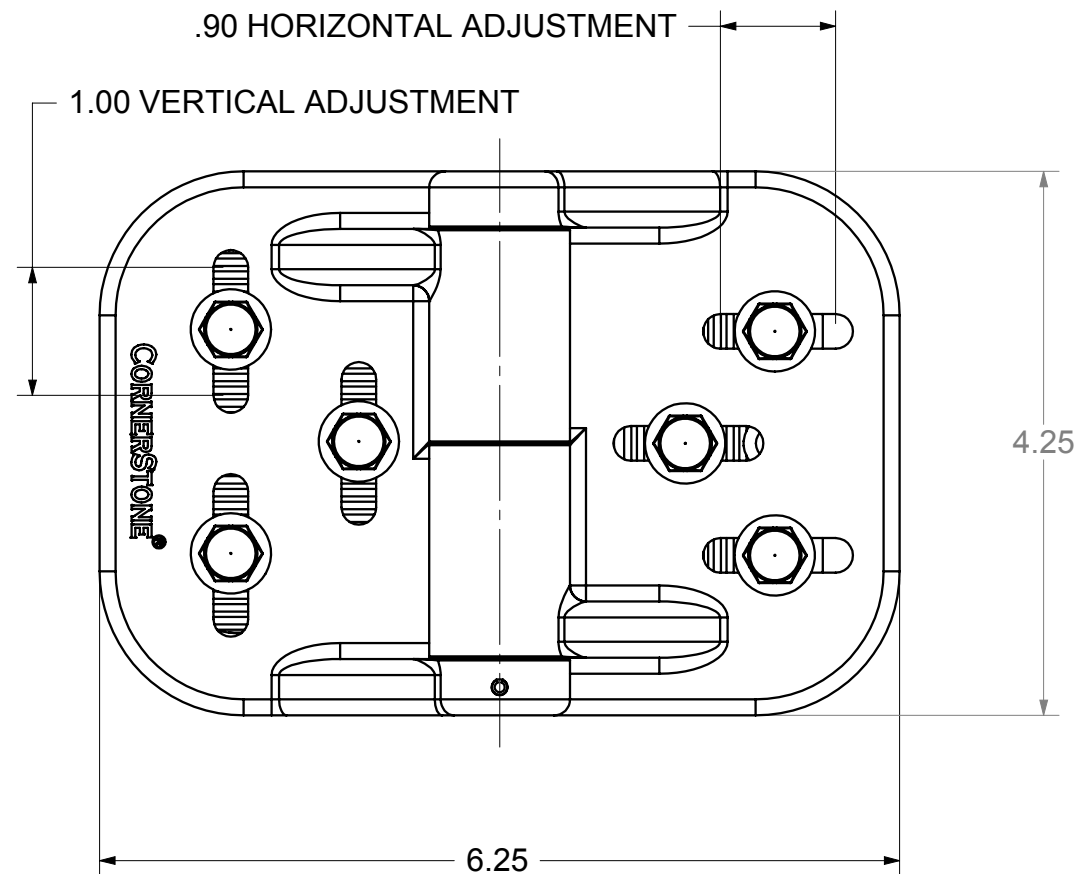
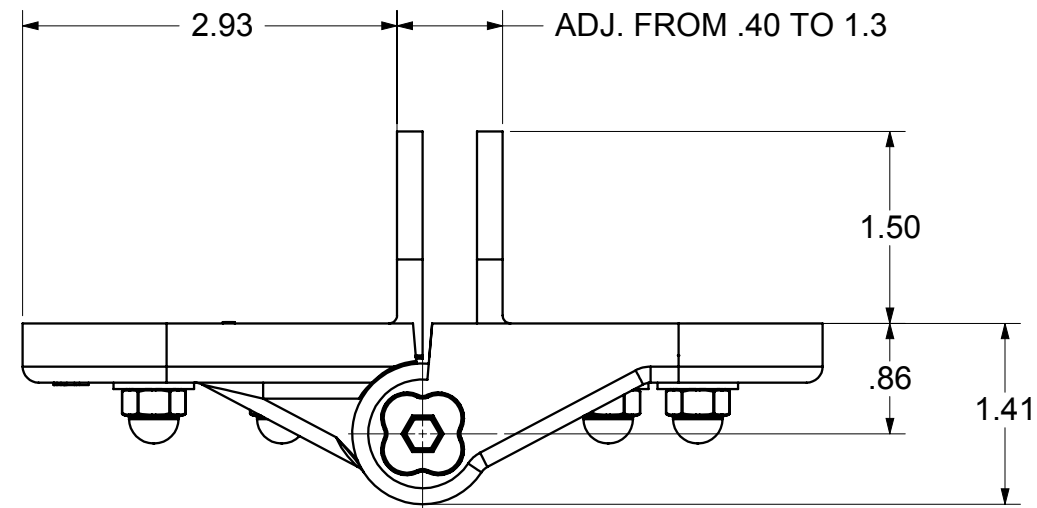
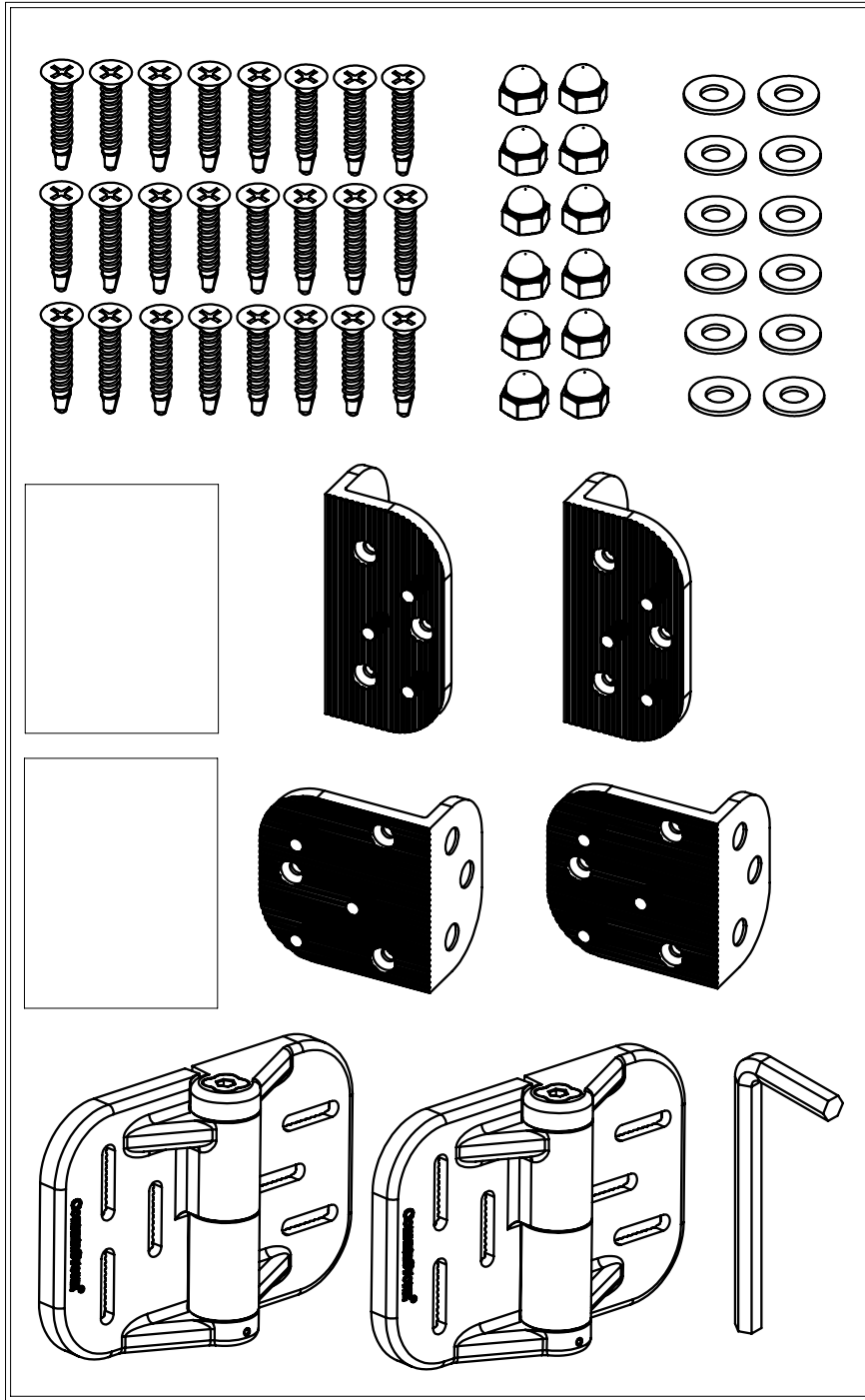


ECR/DCR REV.		REVISIONS DESCRIPTION	DATE	APPD
-	-	INITIAL RELEASE	9/22/09	EET



- PACKAGE INCLUDES**
 (2) ASSEMBLED HINGE LEAVES
 (2) HORIZONTAL ADJUSTMENT MOUNTING PLATES
 (2) VERTICAL ADJUSTMENT MOUNTING PLATES
 (1) 1/4" ADJUSTMENT WRENCH
 (1) INSTRUCTION SHEET
 (1) WARRANTY SHEET
 (12) ACORN NUTS - PAINTED TO MATCH
 (12) WASHERS - PAINTED TO MATCH
 (24) MOUNTING SCREWS - PAINTED TO MATCH

DRAFT COPY

CH300F-SD-WH	18-8 SS SELF DRILL	WHITE
CH300F-SD-BK	18-8 SS SELF DRILL	BLACK
CH300F-WH	18-8 SS SHEET METAL	WHITE
CH300F-BK	18-8 SS SHEET METAL	BLACK
PART NO.	SCREW TYPE	COLOR

DIMENSIONS ARE IN INCHES
 TOLERANCES:
 FRACTIONAL $\pm 1/16"$
 ANGULAR: MACH $\pm 1^\circ$ BEND $\pm 1^\circ$
 TWO PLACE DECIMAL ± 0.01
 THREE PLACE DECIMAL ± 0.005

PROPRIETARY AND CONFIDENTIAL
 THE INFORMATION CONTAINED IN THIS DRAWING IS THE SOLE PROPERTY OF NATIONWIDE INDUSTRIES. ANY REPRODUCTION IN PART OR AS A WHOLE WITHOUT THE WRITTEN PERMISSION OF NATIONWIDE INDUSTRIES IS PROHIBITED.



**CORNERSTONE
 3" NYLON FULLY
 ADJUSTABLE HINGE**

SIZE B	DWG. NO. CS--CH300F	REV. -
SCALE: 2:3	WEIGHT:	SHEET 1 OF 1