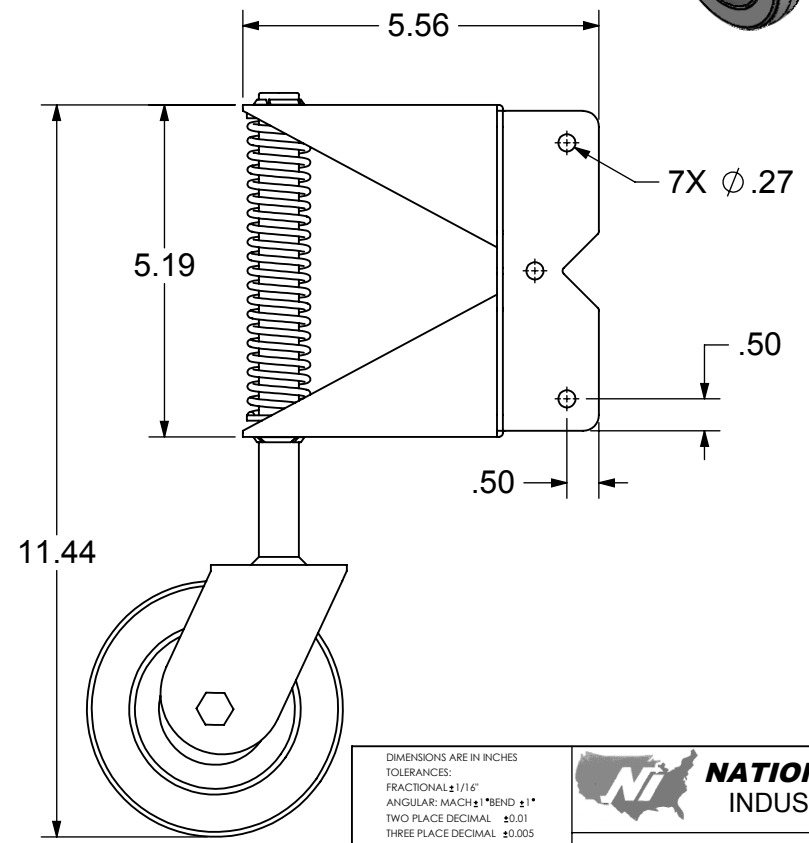
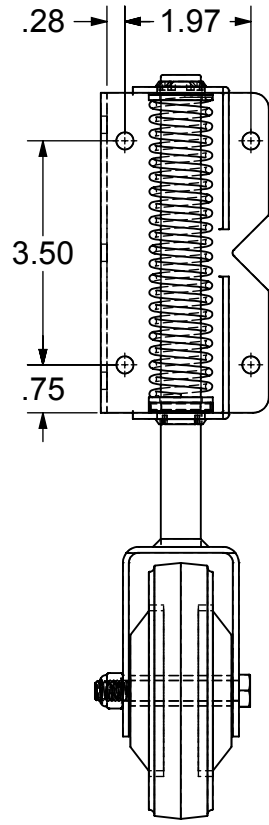
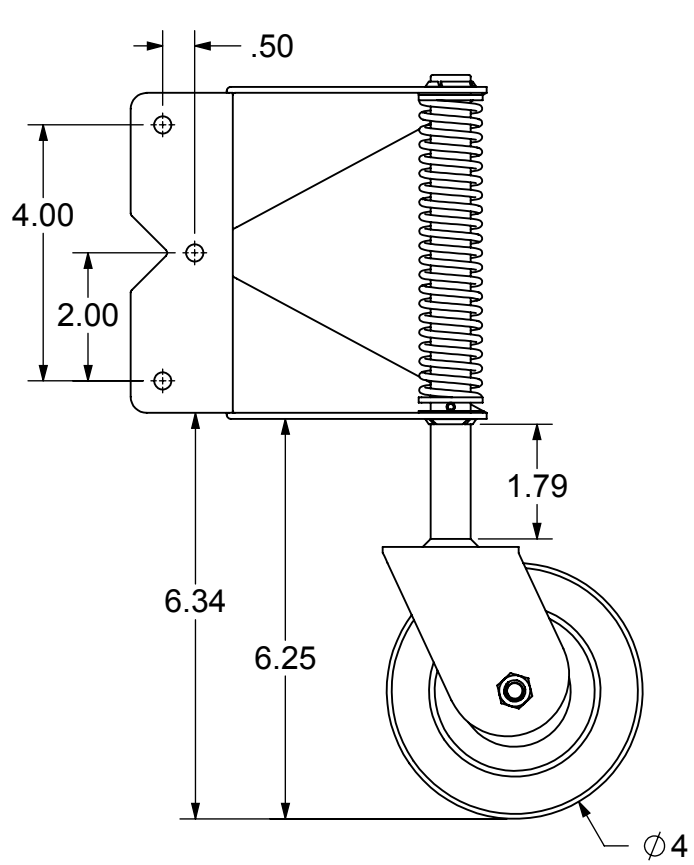
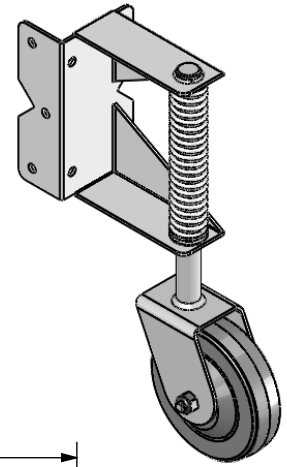
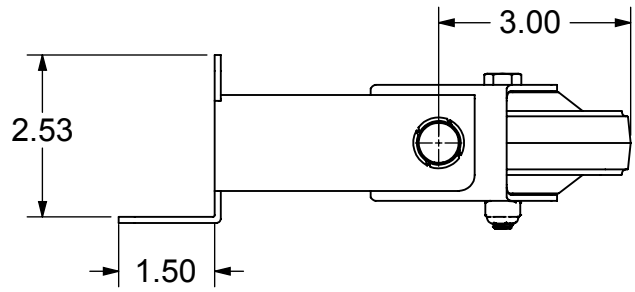


REVISIONS				
ECR/DCR	REV.	DESCRIPTION	DATE	APPD
-	-	INITIAL RELEASE	2/29/12	-



DIMENSIONS ARE IN INCHES  
 TOLERANCES:  
 FRACTIONAL  $\pm 1/16"$   
 ANGULAR: MACH  $\pm 1^\circ$  BEND  $\pm 1^\circ$   
 TWO PLACE DECIMAL  $\pm 0.01$   
 THREE PLACE DECIMAL  $\pm 0.005$

PROPRIETARY AND CONFIDENTIAL  
 THE INFORMATION CONTAINED IN THIS  
 DRAWING IS THE SOLE PROPERTY OF  
 NATIONWIDE INDUSTRIES. ANY  
 REPRODUCTION IN PART OR AS A WHOLE  
 WITHOUT THE WRITTEN PERMISSION OF  
 NATIONWIDE INDUSTRIES IS PROHIBITED.



HD VINYL GATE WHEEL		
SIZE <b>A</b>	DWG. NO. <b>CS--GW1</b>	REV. -
SCALE: 1:3	WEIGHT: 1.579 LB.	SHEET 1 OF 1