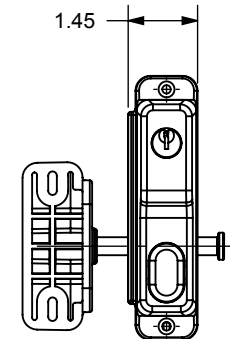
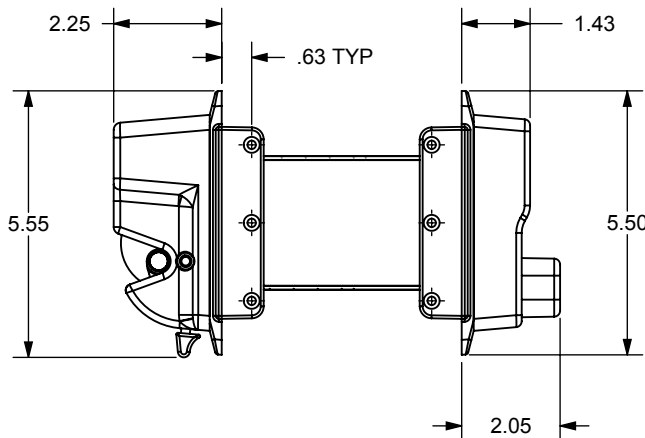
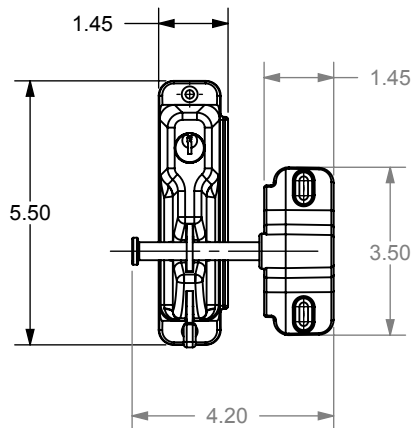
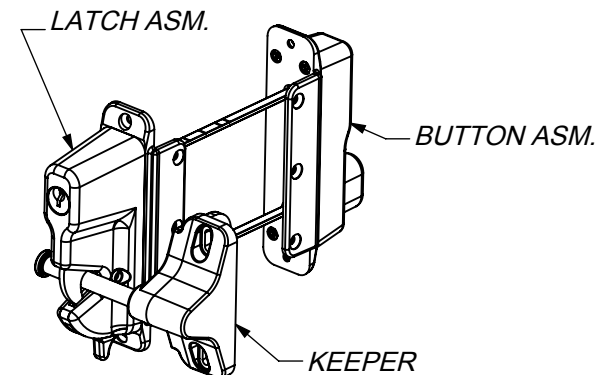
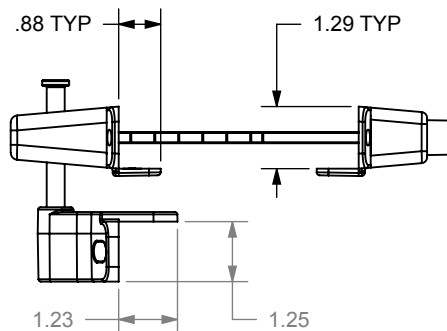


Part No.	DESCRIPTION	COLOR	SCREW KIT P/N
KLADV-P2-BK	LATCH SET w/ STD SCREWS	BLACK	KL2SPACK-SS-B
KLADV-P2-WH	LATCH SET w/ STD SCREWS	WHITE	KL2SPACK-SS-W
KLADV-P2ZD-BK	LATCH SET w/ SELF DR. SCREWS	BLACK	KL2SPACK-STL-B
KLADV-P2ZD-WH	LATCH SET w/ SELF DR. SCREWS	WHITE	KL2SPACK-STL-W

ECR/DCR		REV.	REVISIONS DESCRIPTION	DATE	APPD
-	-	-	INITIAL RELEASE	06-16-10	-
ECR-0597	1	-	REVISED KEEPER TO HD VERSION	08/29/11	CGS
-	2	-	ADDED PART #'s, MATERIAL AND PACKAGING	02-27-14	-



**PACKAGING INSTRUCTIONS:**  
BOX (20) SETS PER CARTON.

**PART No: KLADV-P2-\***  
\* COLOR CODE: W = WHITE; B = BLACK

- POLYBAGGED SET CONTAINS:**  
 (1) MOUNTING HARDWARE KIT - POLYBAGGED CONTAINING:  
 (4) #8 x 3/4" PHILIPS PANHEAD SS SCREW  
 (10) #8 x 3/4" PHILIPS FLATHEAD SS SCREW  
 (1) LATCH ASSEMBLY - POLYBAGGED  
 (1) BUTTON ASSEMBLY - POLYBAGGED  
 (1) KEEPER ASSEMBLY - POLYBAGGED  
 (1) INSTRUCTION SHEET  
 (1) WARRANTY SHEET  
 (1) MOUNTING TEMPLATE  
 (2) PLASTIC SPINDLE COVER TUBES

**PART No: KLADV-P2ZD-\***  
\* COLOR CODE: W = WHITE; B = BLACK

- POLYBAGGED SET CONTAINS:**  
 (1) MOUNTING HARDWARE KIT - POLYBAGGED CONTAINING:  
 (4) #8 x 3/4" PHILIPS PANHEAD SELF DRILLING STEEL SCREW  
 (10) #8 x 3/4" PHILIPS FLATHEAD SELF DRILLING STEEL SCREW  
 (1) LATCH ASSEMBLY - POLYBAGGED  
 (1) BUTTON ASSEMBLY - POLYBAGGED  
 (1) KEEPER ASSEMBLY - POLYBAGGED  
 (1) INSTRUCTION SHEET  
 (1) WARRANTY SHEET  
 (1) MOUNTING TEMPLATE  
 (2) PLASTIC SPINDLE COVER TUBES

HOUSING MATERIAL: 30% GF NYLON 6/6

DIMENSIONS ARE IN INCHES TOLERANCES: FRACTIONAL ±1/16" ANGULAR: MACH ±1° BEND ±1° TWO PLACE DECIMAL ±0.01 THREE PLACE DECIMAL ±0.005		
PROPRIETARY AND CONFIDENTIAL THE INFORMATION CONTAINED IN THIS DRAWING IS THE SOLE PROPERTY OF NATIONWIDE INDUSTRIES. ANY REPRODUCTION IN PART OR AS A WHOLE WITHOUT THE WRITTEN PERMISSION OF NATIONWIDE INDUSTRIES IS PROHIBITED.		
SIZE A DWG. NO. CS--KLADV-P2 SCALE: 1:4 WEIGHT: LB.		KEYSTONE ADVANTAGE GENERAL ASM. & OUTLINE DIM'S. REV. 2 SHEET 1 OF 1