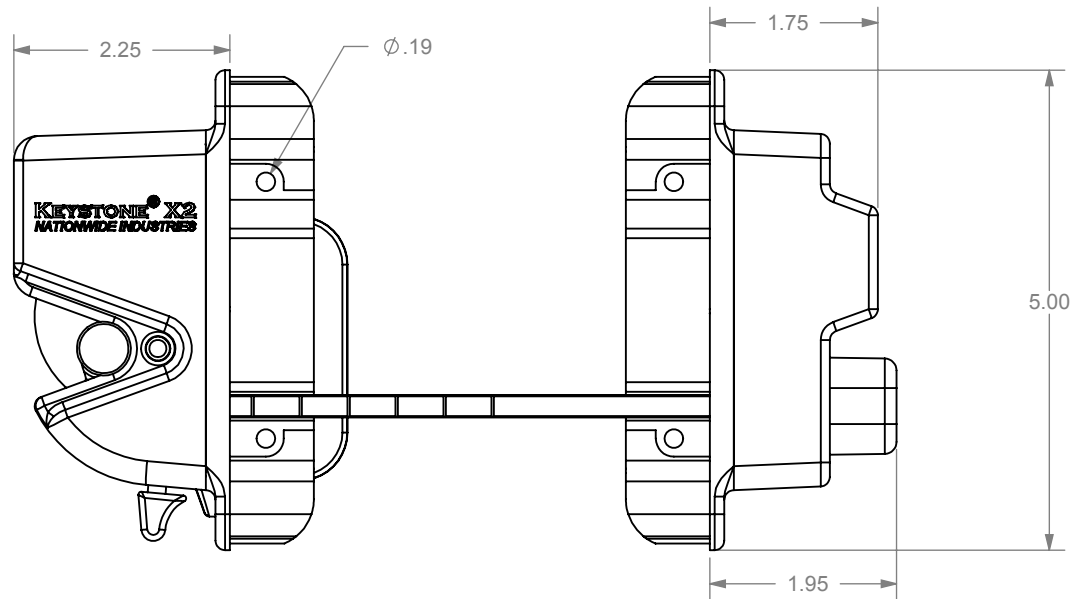
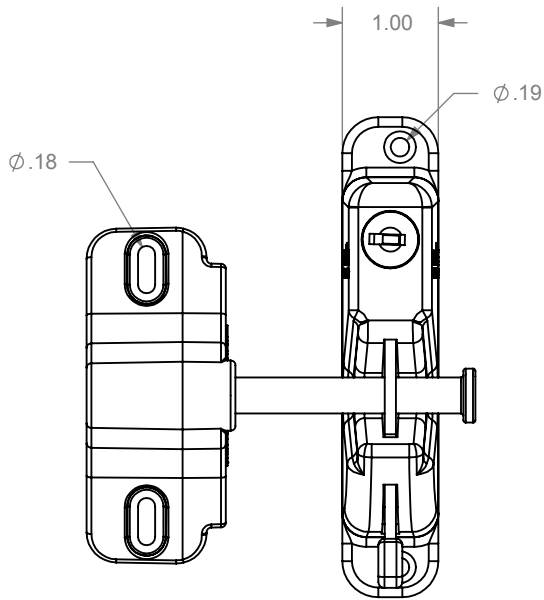
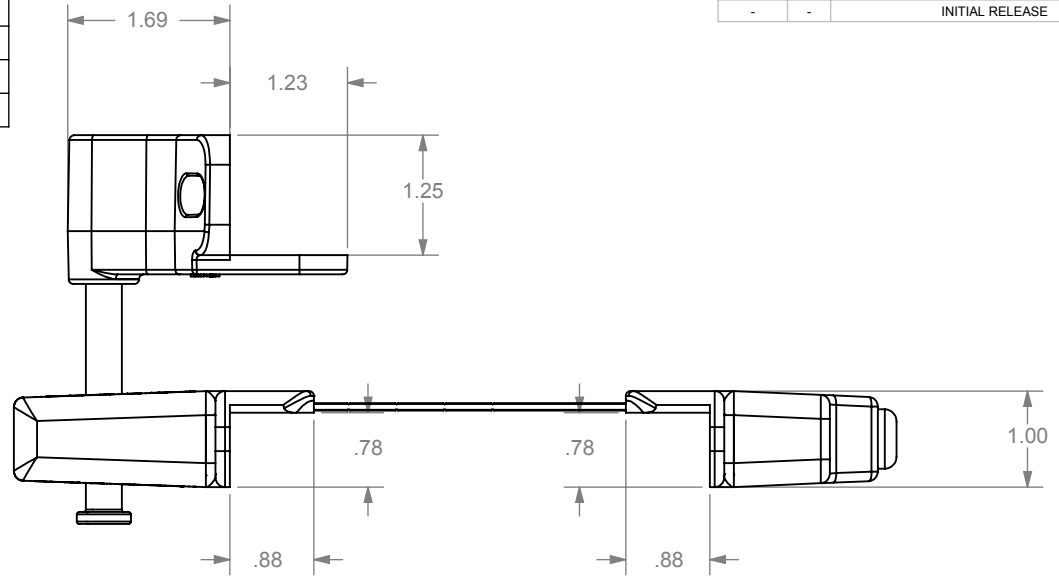


PART #	DESCRIPTION	COLOR
KLX2-P2-ZD-WH	LATCH SET w/ SELF DR. MTG SCREWS	WHITE
KLX2-P2-ZD-BK	LATCH SET w/ SELF DR. MTG SCREWS	BLACK
KLX2-P2-WH	LATCH SET w/ STD MTG SCR	WHITE
KLX2-P2-BK	LATCH SET w/ STD MTG SCR	BLACK

ECR/DCR		REV.	REVISIONS	DESCRIPTION	DATE	APPD
-	-	-	INITIAL RELEASE		MM-DD-YY	-



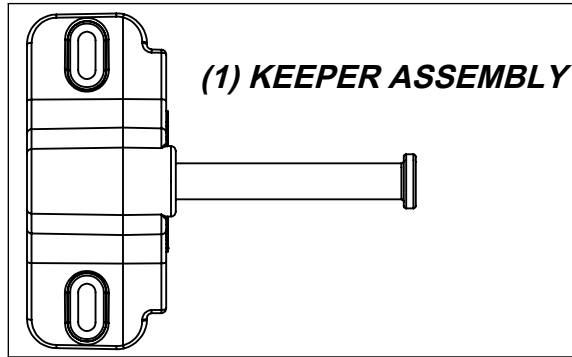
DIMENSIONS ARE IN INCHES  
TOLERANCES:  
FRACTIONAL  $\pm 1/16$ "  
ANGULAR: MACH  $\pm 1$ " BEND  $\pm 1$ "  
TWO PLACE DECIMAL  $\pm 0.01$   
THREE PLACE DECIMAL  $\pm 0.005$

PROPRIETARY AND CONFIDENTIAL  
THE INFORMATION CONTAINED IN THIS  
DRAWING IS THE SOLE PROPERTY OF  
NATIONWIDE INDUSTRIES. ANY  
REPRODUCTION IN PART OR AS A WHOLE  
WITHOUT THE WRITTEN PERMISSION OF  
NATIONWIDE INDUSTRIES IS PROHIBITED.

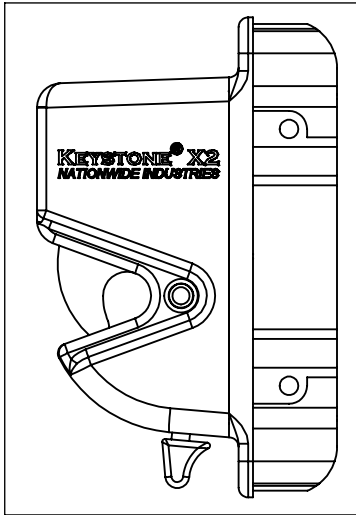
**NATIONWIDE  
INDUSTRIES**

**SLIMLINE  
NO THRU HOLE  
GRAVITY LATCH**

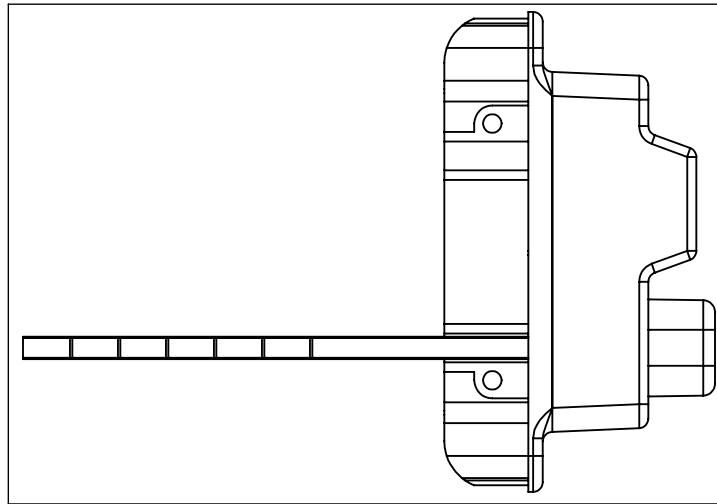
SIZE <b>A</b>	DWG. NO.	<b>CS--KLX2-P2</b>	REV. -
SCALE: 1:2	WEIGHT:	SHEET 1 OF 2	



**(1) KEEPER ASSEMBLY**



**(1) LATCH ASSEMBLY**



**(1) BUTTON ASSEMBLY**

**PACKAGING INSTRUCTIONS:**

**PART No: KLX2-P2-\***

**\* COLOR CODE: WH = WHITE; BK = BLACK**

**POLYBAGGED SET CONTAINS:**

**(1) MOUNTING HARDWARE KIT - POLYBAGGED**

**CONTAINING:**

- (4) #8 x 3/4" PHILLIPS PANHEAD SCREW
- (8) #8 x 3/4" PHILLIPS FLATHEAD SCREW

- (1) LATCH ASSEMBLY - POLYBAGGED**
- (1) BUTTON ASSEMBLY - POLYBAGGED**
- (1) KEEPER ASSEMBLY - POLYBAGGED**
- (1) INSTRUCTION SHEET**
- (1) WARRANTY SHEET**

**PART No: KLX2-P2-ZD-\***

**\* COLOR CODE: WH = WHITE; BK = BLACK**

**POLYBAGGED SET CONTAINS:**

**(1) MOUNTING HARDWARE KIT - POLYBAGGED**

**CONTAINING:**

- (4) #8 x 3/4" PHILLIPS PANHEAD SELF DRILLING SCREW
- (8) #8 x 3/4" PHILLIPS FLATHEAD SELF DRILLING SCREW

- (1) LATCH ASSEMBLY - POLYBAGGED**
- (1) BUTTON ASSEMBLY - POLYBAGGED**
- (1) KEEPER ASSEMBLY - POLYBAGGED**
- (1) INSTRUCTION SHEET**
- (1) WARRANTY SHEET**

**KLX2-P2-\***  
**MOUNTING HARDWARE KIT**

**\* COLOR CODE: WH = WHITE; BK = BLACK**

**(8) LATCH MTG SCREWS**

#8 x 3/4" LG PHILLIPS  
FLATHEAD SCREW  
MAT'L: 18-8 STAINLESS STEEL  
FINISH: PAINT HEAD TO MATCH



**(4) KEEPER MTG SCREWS**

#8 x 3/4" LG PHILLIPS  
PANHEAD SCREW  
MAT'L: 18-8 STAINLESS STEEL  
FINISH: PAINT HEAD TO MATCH



**KLX2-P2-ZD-\***  
**MOUNTING HARDWARE KIT**

**\* COLOR CODE: WH = WHITE; BK = BLACK**

**(8) LATCH MTG SCREWS**

#8 x 1.0" LG PHILLIPS FLATHEAD  
SELF-DRILLING SCREW  
MAT'L: CARBON STEEL  
FINISH: ZINC PLATED  
PAINT HEAD TO MATCH



**(4) KEEPER MTG SCREWS**

#8 x 1.0" LG PHILLIPS PANHEAD  
SELF DRILLING SCREW  
MAT'L: CARBON STEEL  
FINISH: ZINC PLATED  
PAINT HEAD TO MATCH



**(1) WARRANTY**

**(1) INSTRUCTIONS**

PROPRIETARY AND CONFIDENTIAL  
THE INFORMATION CONTAINED IN THIS  
DRAWING IS THE SOLE PROPERTY OF  
NATIONWIDE INDUSTRIES. ANY  
REPRODUCTION IN PART OR AS A WHOLE  
WITHOUT THE WRITTEN PERMISSION OF  
NATIONWIDE INDUSTRIES IS PROHIBITED.

**SLIMLINE**  
**NO THRU HOLE**  
**GRAVITY LATCH**

SIZE <b>A</b>	DWG. NO.	<b>CS--KLX2-P2</b>	REV. -
SCALE:1:2	WEIGHT:	SHEET 2 OF 2	