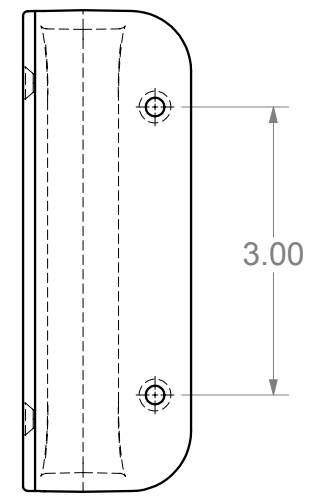
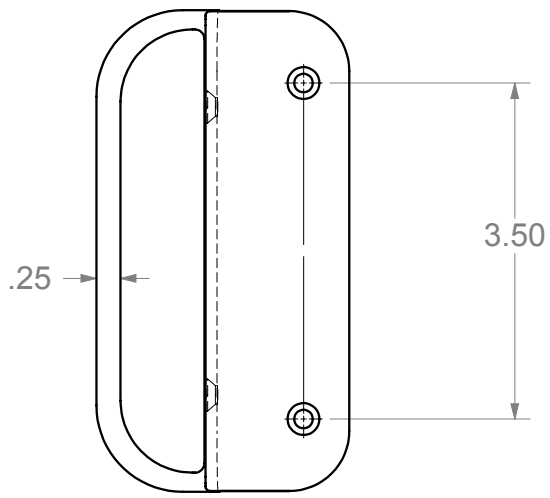
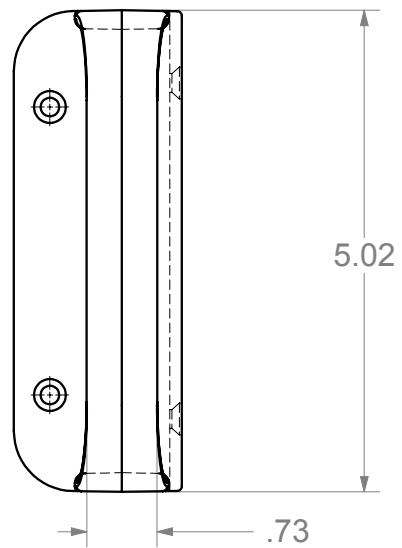
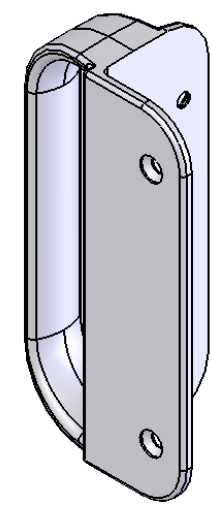
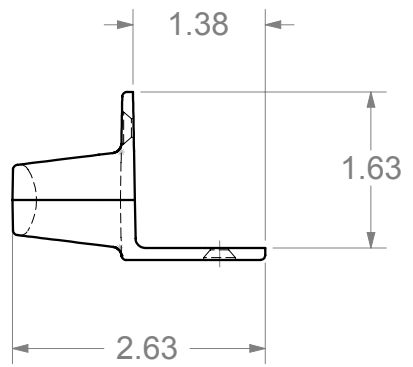
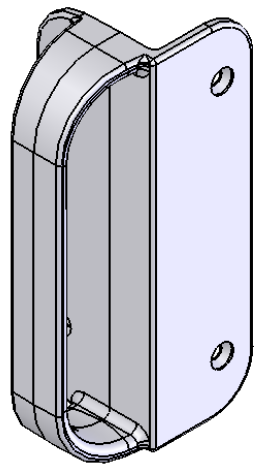


ECR/DCR		REV.		REVISIONS		DATE	APPD
				DESCRIPTION			



PART NO.	COLOR	SCREW KIT
NW314-BK	BLACK	NO
NW314-WH	WHITE	NO
NW314S-B	BLACK	YES
NW314S-W	WHITE	YES

**DRAFT COPY**

DIMENSIONS ARE IN INCHES  
TOLERANCES:  
FRACTIONAL: ±1/16"  
ANGULAR: MACH ±1° BEND ±1°  
TWO PLACE DECIMAL ±0.01  
THREE PLACE DECIMAL ±0.005

**PROPRIETARY AND CONFIDENTIAL**  
THE INFORMATION CONTAINED IN THIS DRAWING IS THE SOLE PROPERTY OF NATIONWIDE INDUSTRIES. ANY REPRODUCTION IN PART OR AS A WHOLE WITHOUT THE WRITTEN PERMISSION OF NATIONWIDE INDUSTRIES IS PROHIBITED.

**NATIONWIDE INDUSTRIES**

**PLASTIC GATE HANDLE**

SIZE: **A** DWG. NO. **CS-NW314** REV. **1**  
SCALE: 1:2 WEIGHT: LB. SHEET 1 OF 1