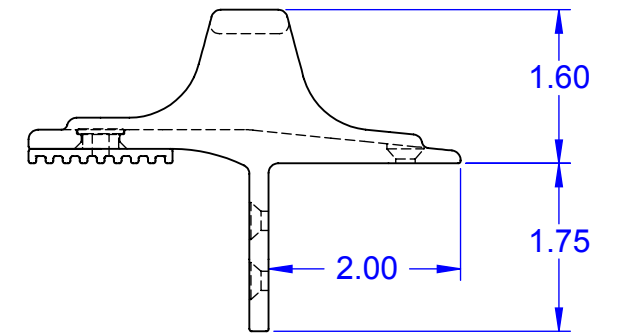
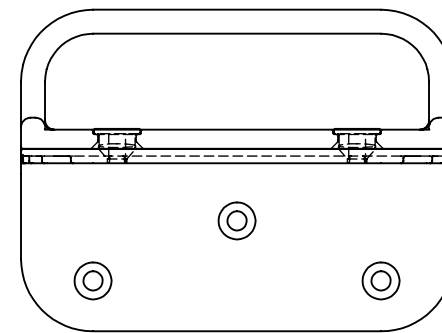
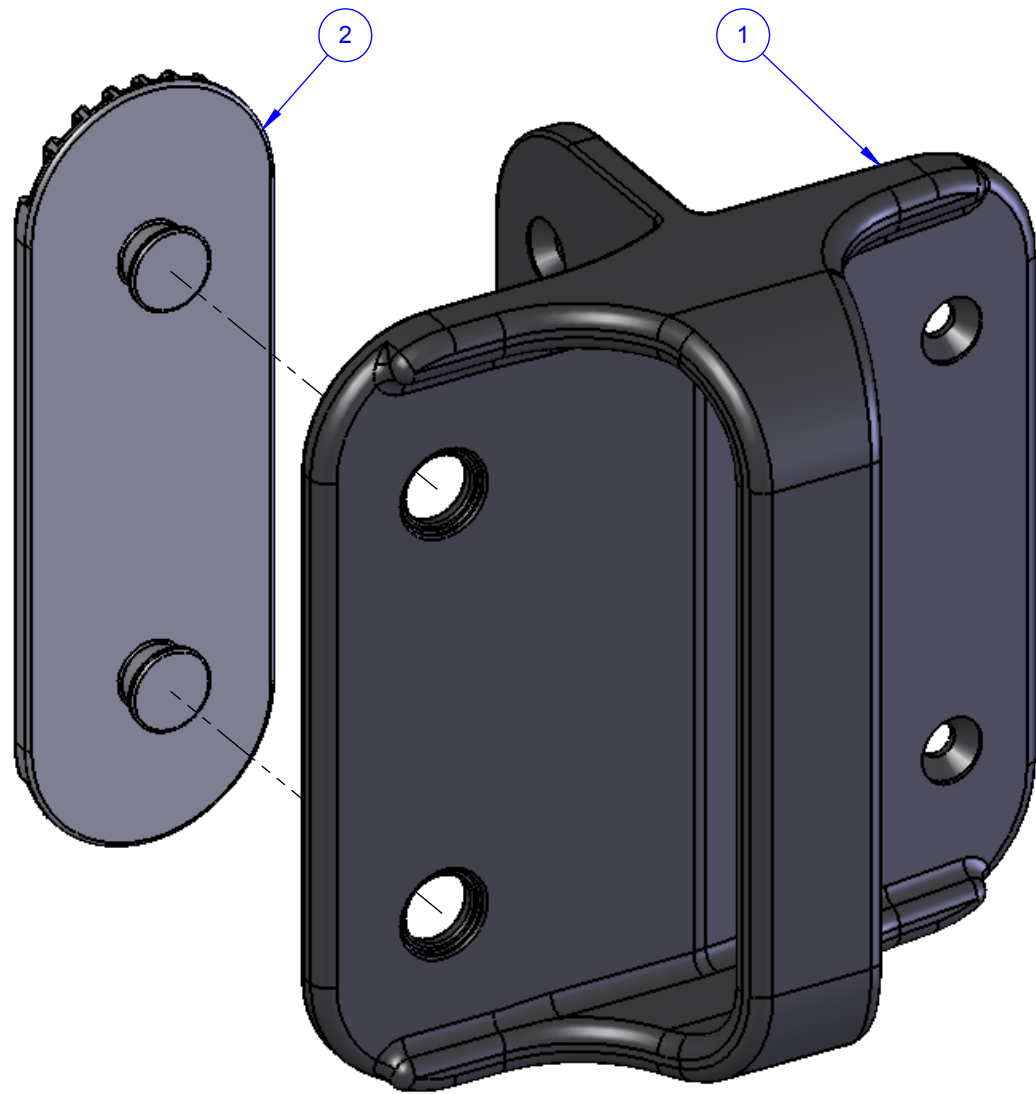
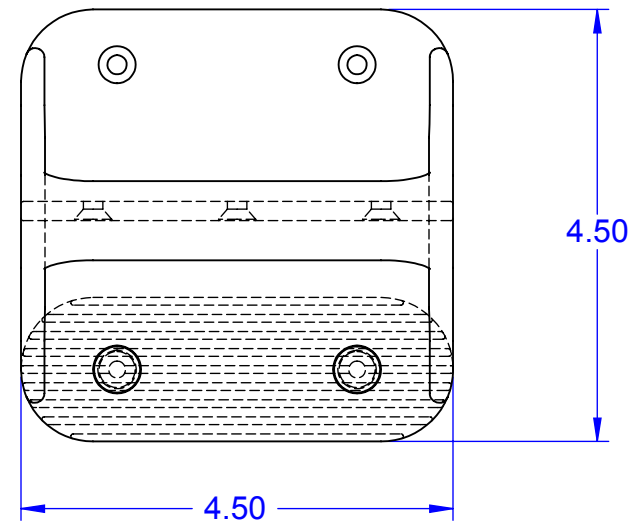


PART NO.	COLOR	MOUNTING HARDWARE
NW6143-BK	BLACK	NO HARDWARE REQ'D
NW6143-WH	WHITE	NO HARDWARE REQ'D
NW6143S-BK	BLACK	(5) #8 x 1-1/4" FLATHEAD PHILIPS 18-8 SST SELF-DRILLING SCREWS w/ PAINTED HEADS
NW6143S-WH	WHITE	(5) #8 x 1-1/4" FLATHEAD PHILIPS 18-8 SST SELF-DRILLING SCREWS w/ PAINTED HEADS



DIMENSIONS ARE IN INCHES DATE
TOLERANCES:
FRACTIONAL $\pm 1/16$ "
ANGULAR: MACH $\pm 1^\circ$ BEND $\pm 1^\circ$
TWO PLACE DECIMAL ± 0.01
THREE PLACE DECIMAL ± 0.005



**GATE HANDLE
w/ STOP**

2	1	BUMPER PAD	RUBBER
1	1	BASE	GLASS FILLED NYLON
ITEM	QTY	DESCRIPTION	MAT'L

PROPRIETARY AND CONFIDENTIAL
THE INFORMATION CONTAINED IN THIS
DRAWING IS THE SOLE PROPERTY OF
NATIONWIDE INDUSTRIES. ANY
REPRODUCTION IN PART OR AS A WHOLE
WITHOUT THE WRITTEN PERMISSION OF
NATIONWIDE INDUSTRIES IS PROHIBITED.

SIZE **B** DWG. NO. **CS--NW6143** REV. **--**
SCALE: 1:1 WEIGHT: **LB.** SHEET 1 OF 1