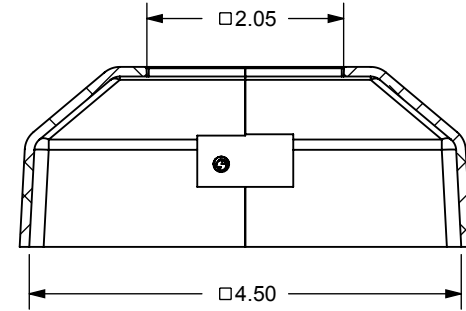
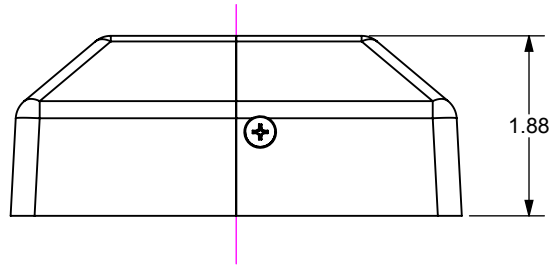
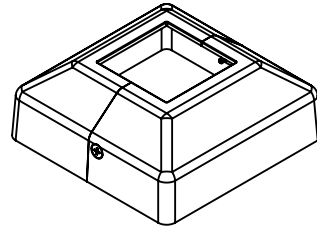


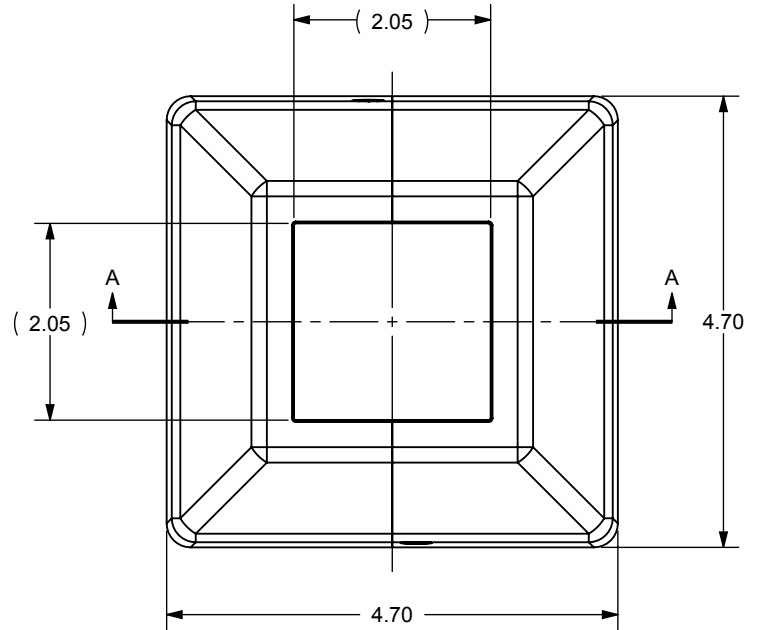
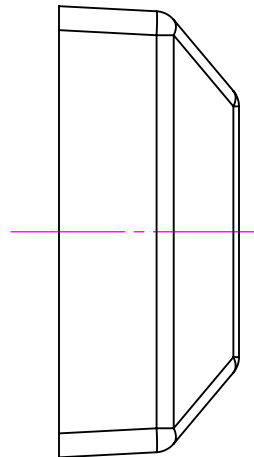
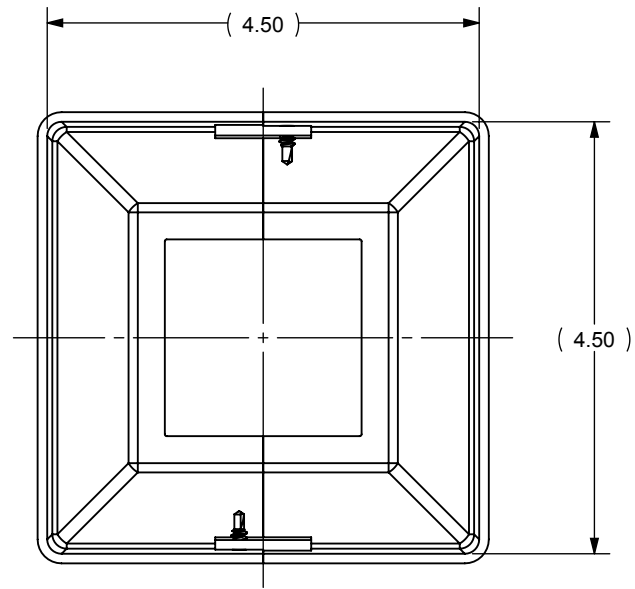
COVERPLATE - (2) PER SET  
 MAT'L: A360 CAST ALUMINUM

COVER SCREW - (2) PER SET  
 #8 x 1/2" L PHILLIPS FLATHEAD  
 SELF DRILLING SCREW  
 MAT'L: 18-8 SS  
 FINISH: PAINT TO MATCH

REVISIONS				
ECR/DCR	REV.	DESCRIPTION	DATE	APPD
-	-	INITIAL RELEASE	12-13-13	-



SECTION A-A



PART #	FINISH	COLOR
NW6243-SBL	SANDBLASTED	MILL
NW6243-BK	POWDER COAT	BLACK
NW6243-WH	POWDER COAT	WHITE
NW6243-BZ	POWDER COAT	BRONZE
NW6243-BZ2	POWDER COAT	BRONZE 2

**PACKAGING INSTRUCTIONS**

**POLYBAGGED SET TO CONSIST OF:**

- (2) COVERPLATE - POLYBAGGED
- (2) COVER SCREWS - POLYBAGGED

DIMENSIONS ARE IN INCHES  
 TOLERANCES:  
 FRACTIONAL ±1/16"  
 ANGULAR: MACH ±1° BEND ±1°  
 TWO PLACE DECIMAL ±0.01  
 THREE PLACE DECIMAL ±0.005



**2 PIECE COVERPLATE  
 for NW302 FLOOR MOUNT**

**PROPRIETARY AND CONFIDENTIAL**  
 THE INFORMATION CONTAINED IN THIS  
 DRAWING IS THE SOLE PROPERTY OF  
 NATIONWIDE INDUSTRIES. ANY  
 REPRODUCTION IN PART OR AS A WHOLE  
 WITHOUT THE WRITTEN PERMISSION OF  
 NATIONWIDE INDUSTRIES IS PROHIBITED.

SIZE <b>A</b>	DWG. NO.	<b>CS--NW6243</b>	REV. -
SCALE: 1:2			SHEET 1 OF 1