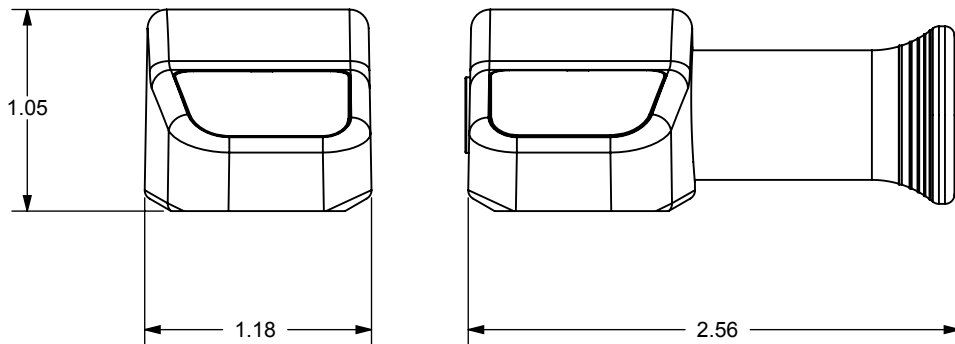
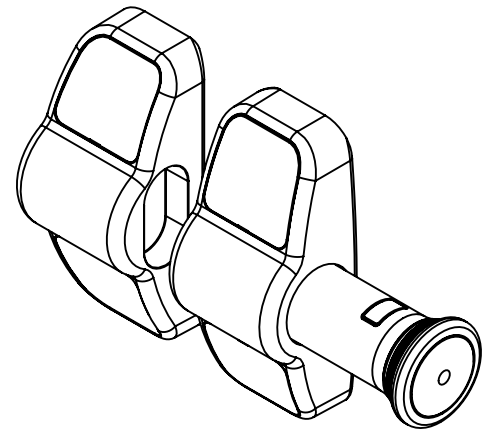
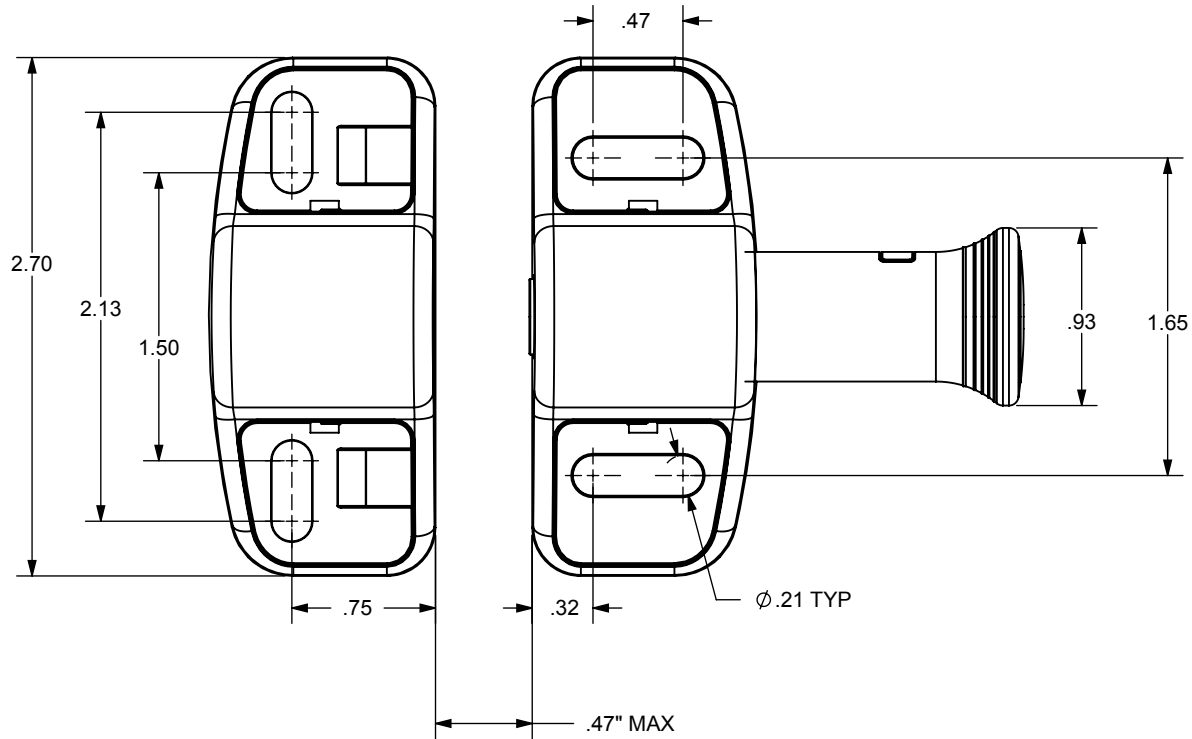
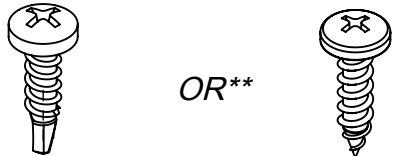


PART #	COLOR	SCREW	INSTRUCTIONS	WARRANTY
SPL100-BK	BLACK	QTY(4) SHEET METAL	YES	YES
SPL100-WH	WHITE	QTY(4) SHEET METAL	YES	YES
SPL100-SD-BK	BLACK	QTY(4) SELF DRILLING	YES	YES
SPL100-SD-WH	WHITE	QTY(4) SELF DRILLING	YES	YES

REVISIONS				
ECR/DCR	REV.	DESCRIPTION	DATE	APPD
-	-	INITIAL RELEASE	2-5-13	-






OR**

**#10 X 3/4" PHILIPS
PAN HEAD SS
SELF DRILLING
SCREW**

**#10 X 3/4" PHILIPS
PAN HEAD SS
SHEET METAL
SCREW**

DIMENSIONS ARE IN INCHES TOLERANCES: FRACTIONAL $\pm 1/16"$ ANGULAR: MACH $\pm 1^\circ$ BEND $\pm 1^\circ$ TWO PLACE DECIMAL ± 0.01 THREE PLACE DECIMAL ± 0.005	 <p>NATIONWIDE INDUSTRIES</p>
PROPRIETARY AND CONFIDENTIAL THE INFORMATION CONTAINED IN THIS DRAWING IS THE SOLE PROPERTY OF NATIONWIDE INDUSTRIES. ANY REPRODUCTION IN PART OR AS A WHOLE WITHOUT THE WRITTEN PERMISSION OF NATIONWIDE INDUSTRIES IS PROHIBITED.	<p>MAGNETIC PULL LATCH</p>
SIZE A DWG. NO. CS--SPL100 REV. - SCALE: 1:1 WEIGHT: 0.212 LB. SHEET 1 OF 1	