

ECR/DCR		REV.	REVISIONS	DESCRIPTION	DATE	APPD
-	-	-	INITIAL RELEASE		7/28/17	-

KPL

PACKAGING INSTRUCTIONS:

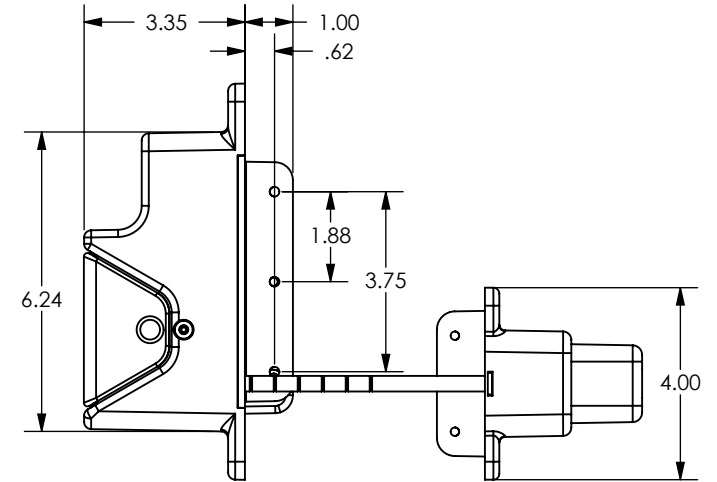
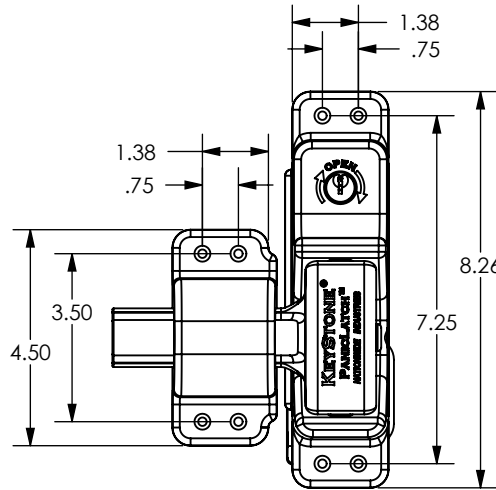
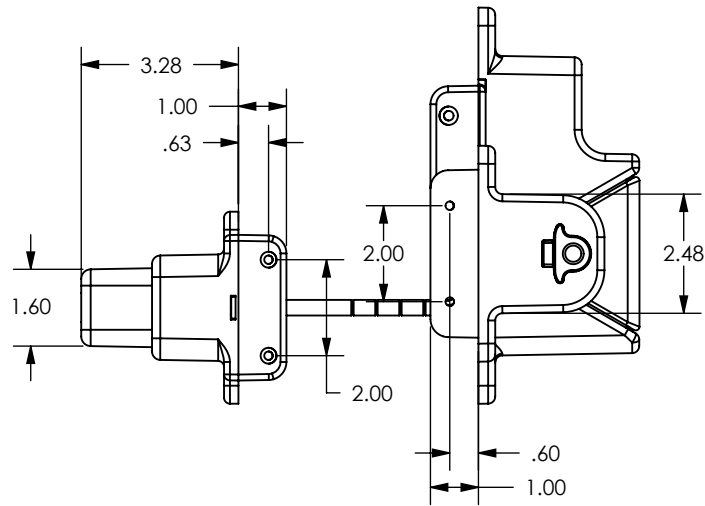
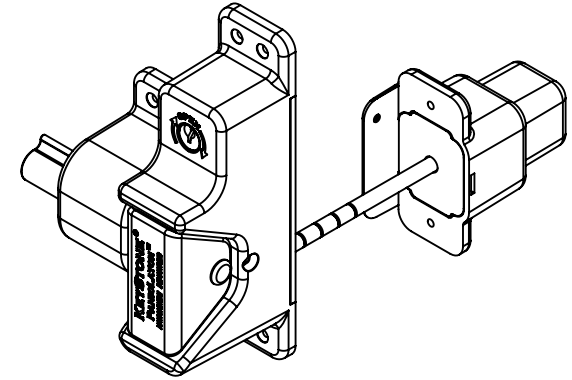
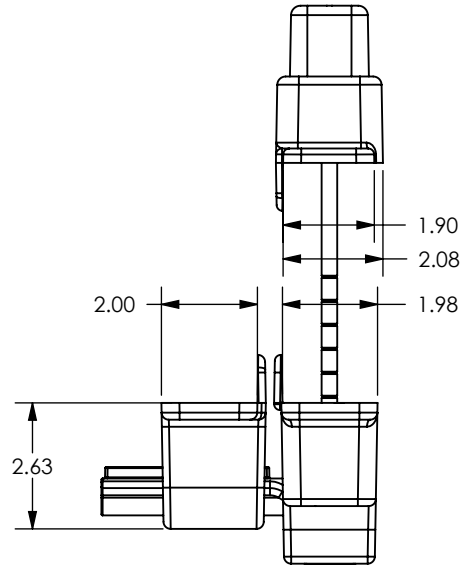
EACH INDIVIDUALLY LABELED BOXED SET MUST CONTAIN:

1. INDIVIDUALLY POLYBAGGED

- (1) LATCH ASSEMBLY
- (1) STRIKER ASSEMBLY
- (1) BUTTON ASSEMBLY

2. POLYBAGGED MOUNTING HARDWARE KIT CONTAINING:

- (1) INSTALLATION INSTRUCTION SHEET
- (1) WARRANTY SHEET
- (1) POLYBAGGED SCREW SET CONTAINING:
 - (17) MOUNTING SCREWS***
- (1) KPL-TEMPLATE - MOUNTING TEMPLATE



PART #	COLOR	SCREW
KPL-P2-WH	WHITE	SM
KPL-P2-BK	BLACK	SM
KPL-P2SD-WH	WHITE	SD
KPL-P2SD-BK	BLACK	SD
KPL-P2ZD-WH	WHITE	ZD
KPL-P2ZD-BK	BLACK	ZD

PROPRIETARY AND CONFIDENTIAL
 THE INFORMATION CONTAINED IN THIS DRAWING IS THE SOLE PROPERTY OF NATIONWIDE INDUSTRIES. ANY REPRODUCTION IN PART OR AS A WHOLE WITHOUT THE WRITTEN PERMISSION OF NATIONWIDE INDUSTRIES IS PROHIBITED.

DIMENSIONS ARE IN INCHES
 TOLERANCES:
 FRACTIONAL: ±1/16"
 ANGULAR: MACH ±1° BEND ±1°
 TWO PLACE DECIMAL ±0.01
 THREE PLACE DECIMAL ±0.005

MATERIAL
GF NYLON & SS

FINISH
SEE CHART

DO NOT SCALE DRAWING

	NAME	DATE
DRAWN	EET	7/28/17
CHECKED		
ENG APPR.		
MFG APPR.		
Q.A.		
COMMENTS:		

NATIONWIDE INDUSTRIES

SELF LOCKING GRAVITY LATCH

SIZE A	DWG. NO. CS--KPL	REV. -
SCALE: 1:4	WEIGHT:	SHEET 1 OF 1