



# KLX-P1 GATE LATCH

## INSTALLATION & INSTRUCTION SHEET

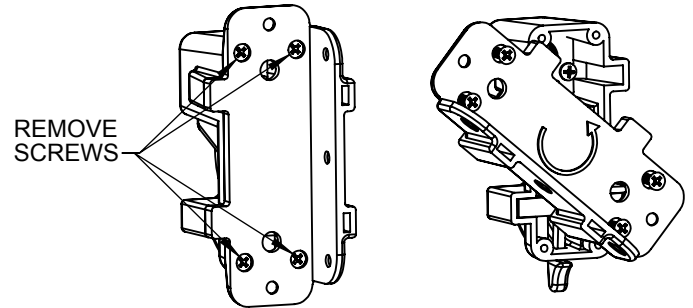
[WWW.NATIONWIDEINDUSTRIES.COM](http://WWW.NATIONWIDEINDUSTRIES.COM)

**PLEASE CAREFULLY READ ALL OF THE INSTRUCTIONS PRIOR TO INSTALLATION**

### STEP-1

The KLX-P1 GATE LATCH is designed to fit both right-hand and left-hand applications. To conform to your application the latch assembly may need to be reversed. To reverse the latch assembly: remove the four screws holding the mounting base, carefully lift and rotate the mounting base.

**IMPORTANT:** INNER COMPONENTS MUST NOT BE DISTURBED WHILE REVERSING THE ASSEMBLIES.

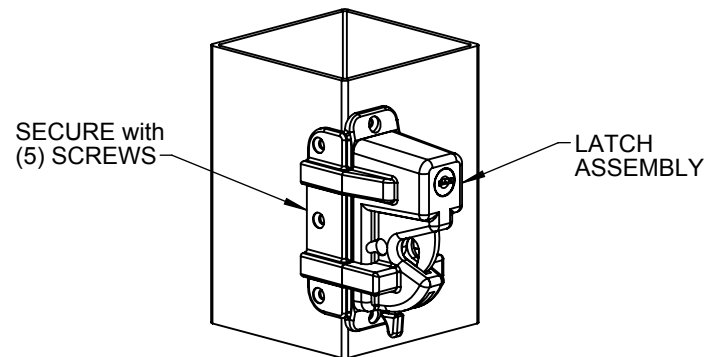


### STEP-2

Locate the desired mounting height for the KLX-P1 GATE LATCH on the fence post.

Mark the centerpoints of the the (5) mounting holes, and drill appropriate pilot holes for mounting screws.

Realign latch and attach to post with the supplied flat head screws.

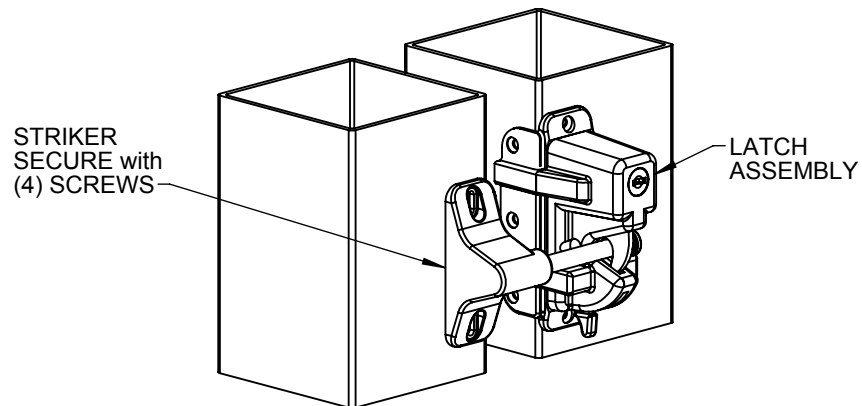


### STEP-3

After installing the Latch Assembly, position and attach the Striker. With the gate closed, position the Striker with the Striker Rod within the latch assembly, behind the latch mechanism.

Mark the centerpoints of the the (4) mounting holes, and drill appropriate pilot holes for mounting screws.

Realign Latch and Striker, attach to post with the supplied screws.



### STEP-4

After installation, TEST the locking and unlocking of the latch.

**LOCK:** Turn key **CLOCKWISE** to stop point, then **COUNTERCLOCKWISE** to the **HORIZONTAL** position and remove

**UNLOCK:** Turn key **COUNTERCLOCKWISE** to stop point, then turn key **CLOCKWISE** to the **HORIZONTAL** position and remove

